

Harbin Rainbow Technology Co. , Ltd 公司（以下简称“彩虹技术”）与 北京彩虹技术股份有限公司（以下简称“彩虹股份”）（N 字头公司）共同出资设立彩虹技术（北京）有限公司（S 字头 UQIAN）（以下简称“彩虹技术（北京）”）（Wuxi）。

彩虹技术（北京）自 30 日起，彩虹技术（北京）与彩虹股份共同出资设立彩虹技术（北京）有限公司（S 字头 UQIAN）（以下简称“彩虹技术（北京）”）（Wuxi）。

彩虹技术（北京）自 30 日起，彩虹技术（北京）与彩虹股份共同出资设立彩虹技术（北京）有限公司（S 字头 UQIAN）（以下简称“彩虹技术（北京）”）（Wuxi）。

彩虹技术（北京）自 30 日起，彩虹技术（北京）与彩虹股份共同出资设立彩虹技术（北京）有限公司（S 字头 UQIAN）（以下简称“彩虹技术（北京）”）（Wuxi）。



# NUT MAKER

Nuts making machine is mainly used for making all kinds of standard and non-standard nuts. It can finish the products in one time with advantages of energy saving, high productivity and easy use.



- Professional
- Good quality
- Energy conservation

# 20 YEARS

20 years of professional export

# PRODUCTION AREA

Provide You With A Variety Of Products Meet  
The Different Needs Of Customers

Extra thick nut, flanged nut, motorcycle link pin, oil plug screw, hex socket lockup nut, square nut, weld nut, cap nut, blind nut, chain roller, expansion anchor, bicycle and motorcycle shaped spare parts, and so on.





Safety-oriented  
production



Zero Quality  
Inspection

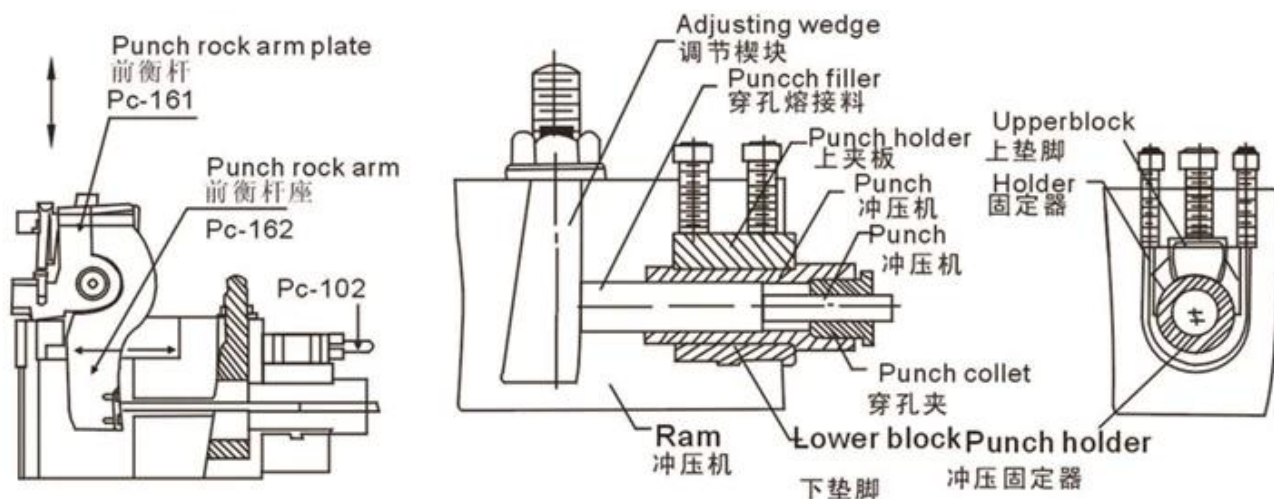


Pre-sale Design  
Customization

## DETAILS SHOW

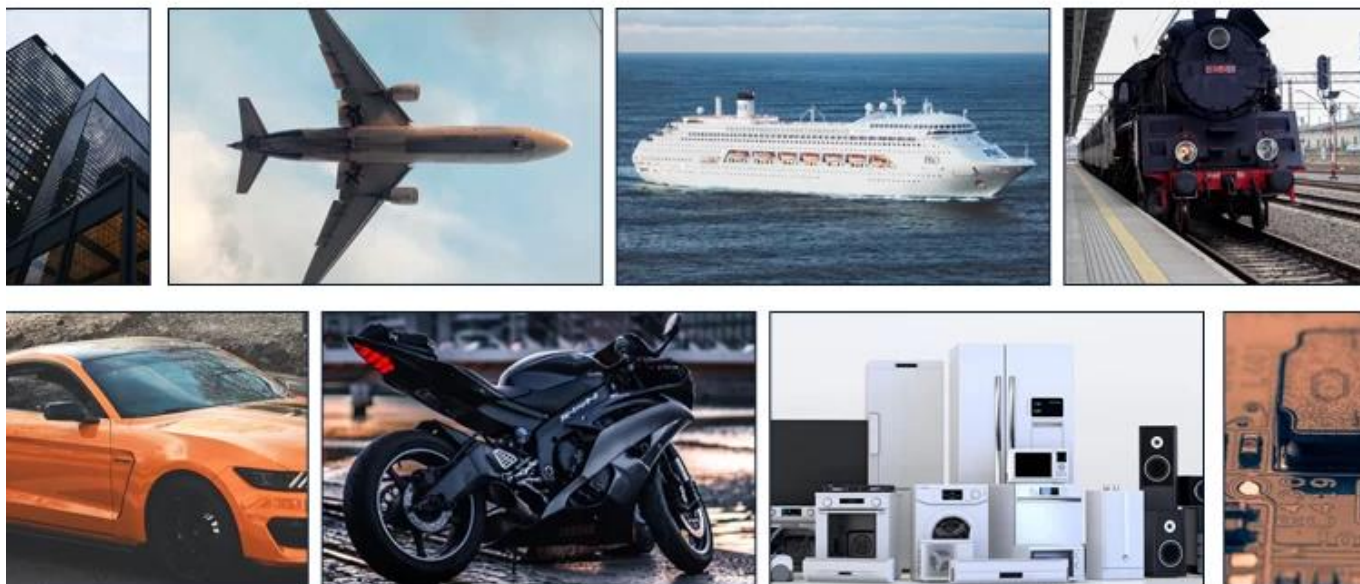
High quality internal mix to improve  
your productivity





## FIELD OF PRODUCTION APPLICATION

Thanks to the advantage of the cold upsetting equipment itself and the superiority of cold upsetting technique, the formers also are widely used in different national economic territories for producing fasteners and abnormal non-standard parts such as aviation steamer, machinery , rail traffic, vehicle, motorcycle, bicycle, architecture, electric appliance electronic and communication products, etc.



MODEL	FORGING STATION	MAX. FORGING DIA.(mm)	CUT-OFF DIA.(mm)	PRODUCT SIZE	FORGING LENGTH (mm)	DIE PITCH (mm)	SLIDER STROKE (mm)	OUTPUT (per.min.)	MAIN MOTOR (HP)	WEIGHT (T)	DIMENSION (cm)
RNF08B-6S-12	6	8	8	M4-M5	12	38	40	175/350	10	3.5	195×135×130
RNF11B-6S-14	6	11	10	M5-M6	14	50	60	120/240	15	4.3	230×155×135
RNF11B-6SL-20	6	11	10	M5-M6	20	50	65	110/200	20	4.5	230×155×135
RNF11B-6SL-35	6	11	10	M5-M6	35	50	125	110	20	4.5	230×155×135
RNF14B-6S-18	6	15	14	M6-M8	18	60	70	75/160	20	8	300×195×175
RNF14B-6SL-30	6	15	14	M6-M8	30	60	100	85/160	30	8	300×198×175
RNF14B-6SL-50	6	15	14	M6-M8	50	60	160	85	30	8.5	300×198×175
RNF17B-6S-20	6	17	17	M8-M10	20	70	80	65/130	20	10	350×220×185
RNF17B-6SL-50	6	17	17	M8-M10	50	70	160	80	40	10.5	360×220×185
RNF17B-6SL-70	6	17	17	M8-M10	70	70	220	80	50	10.5	360×220×185
RNF19B-6S-25	6	20	19	M10-M12	25	80	95	95	40	10.5	360×220×185
RNF19B-6SL-50	6	20	19	M10-M12	50	80	160	75	50	16	380×245×196
RNF19B-6SL-70	6	20	19	M10-M12	70	80	220	65	60	16	380×235×196
RNF22B-6S-30	6	22	22	M12-M14	30	80	160	80	60	18	380×235×196
RNF22B-6SL-60	6	22	22	M12-M14	60	80	220	75	60	18	380×235×196
RNF24B-6S-35	6	24	24	M14-M16	35	100	160	75	75	27.5	550×248×270
RNF24B-6SL-70	6	24	24	M14-M16	70	100	210	65	75	27.5	550×248×270
RNF27B-6S-40	6	27	29	M16-M18	35	100	160	75	100	30	550×248×270
RNF27B-6SL-70	6	27	29	M16-M18	70	100	210	65	150	30	550×248×270
RNF30B-6S-40	6	30	28	M16-M20	40	120	150	60-90	100	40	550×280×200
RNF30B-6SL-80	6	32	28	M16-M20	80	120	200	50-65	125	45	650×280×200
RNF33B-6S-40	6	33	30	M18-M22	40	140	150	60-80	125	55	600×300×200
RNF33B-6SL-80	6	33	30	M18-M20	80	140	280	60	200	50	650×300×280
RNF36B-6S-45	6	35	32	M18-M24	45	150	160	60-80	125	60	650×300×200
RNF36B-6SL-100	6	35	32	M18-M24	100	150	260	50-60	150	70	750×300×200
RNF41B-6S-50	6	40	40	M20-M27	50	165	200	55-70	150	68	700×350×240
RNF41B-6SL-100	6	40	40	M20-M27	100	165	260	50-60	200	80	750×350×280
RNF45B-6S-55	6	45	42	M20-M30	50	180	210	50-60	180	85	750×300×280
RNF45B-6SL-100	6	45	42	M20-M30	100	180	260	50-60	270	100	800×350×300

All specifications are subject to changes without prior notice