

## Makine Fonksiyonu:

1. Bu soğuk başlık makineleri tamamen otomatik ve kullanımı kolaydır. Neredeyse hiçbir eğitim yoktur ve katı kalıplarla donatılmıştır. Cıvatalar, cıvatalar, perçinler ve diğer benzer bileşenler için boş olabilirler. Kesme ve nakavt mekanizması güvenli ekipmana sahiptir. Makinede herhangi bir anormal fonksiyon meydana gelirse, büyük kazaları önleyebilir.
2. Operasyon sırasında bu yumrukları yapıştırma olasılığını ortadan kaldırmak için birinci ve ikinci yumrukta olumlu bir nakavt maçı yapılmıştır.
3. Bazı ek yüklerde, makine tüm rulmanlar yüzeyi için yeterli miktarda yağlama sağlamak üzere pnömatik debriyaj ve otomatik merkezi yağlama sistemi ile donatılacaktır.



# PRODUCTION AREA

Provide You With A Variety Of Products Meet  
The Different Needs Of Customers



Screw With Washer



Multi-stage  
Special Shaped Screw



Flange Head Screw



Ordinary Screw

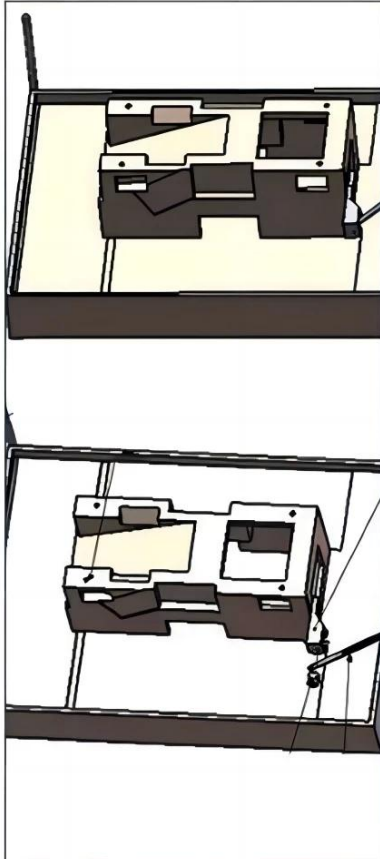


Miniature Screw

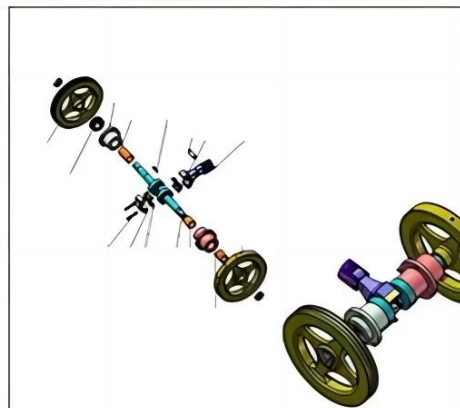
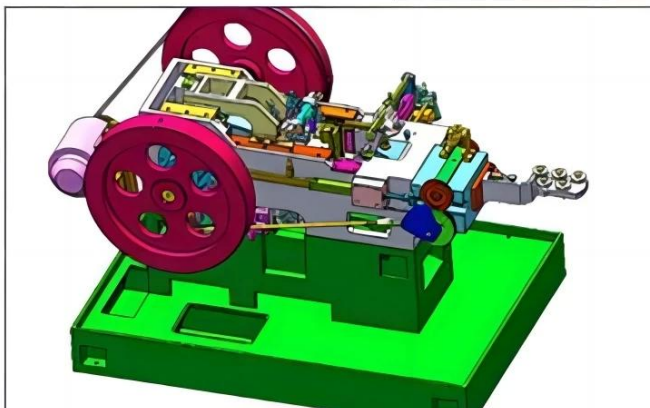
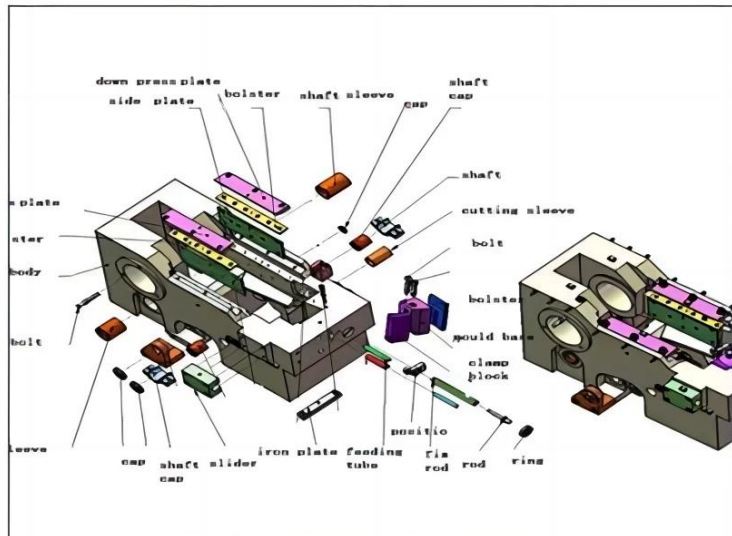
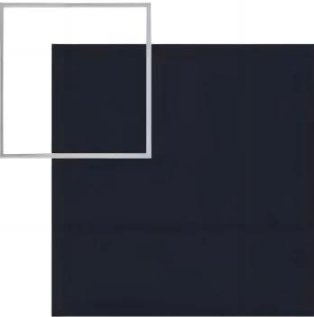


Semi-hollow Rivet

# DETAILS SHOW



Heading machine is the fastener industry whole plant equipment with automatic thread rolling machine supporting the professional equipment cold heading machine. Its purpose is selected, such as carbon steel, stainless steel, aluminum, copper and other metal wire, with a suitable mold, according to wire made allowable pressure ratio in effect under the slider crank rod driven,



# SAFETY INSTRUCTIONS

The head machine is a professional cold upsetting forming machine which is matched with automatic wire rolling machine in the whole plant of fastener industry.

Its purpose is to the selected such as carbon steel, stainless steel, aluminum, copper and other metal wire, with appropriate mould, according to the allowable pressure wire than, under the effect of crank-shaft connecting rod drive the slider, automated, fast after the required size of the wire will be automatically shear, extrusion in the mould for needed fastener head type, stem diameter, facilitate thread rolling, or become a qualified rivet type fastener. The heading machine automatically processes the wire into semi-finished products.



1 gövde çerçevesi demir plaka kaynağından yapılmıştır  
Dökümden iki yedek parça yapılmıştır  
3 Dahili Yatak Çelikten Yapılır



# SCREW MAKER

One die two blow heading machine. widely used to produce standard and non-standard screw. the machine is easy to operate and stable in performance



# PRODUCTION AREA

Provide You With A Variety Of Products Meet  
The Different Needs Of Customers



Screw With Washer



Multi-stage  
Special Shaped Screw



Flange Head Screw



Ordinary Screw

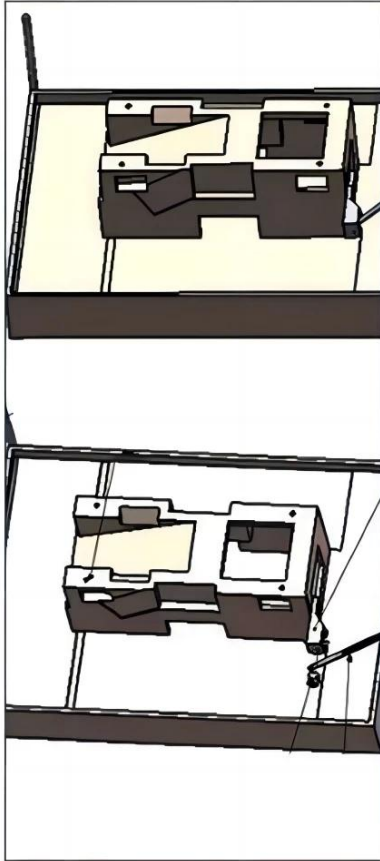


Miniature Screw

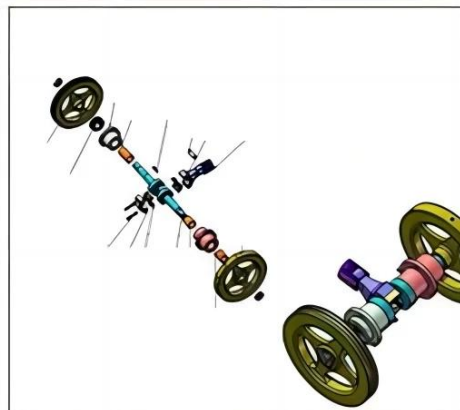
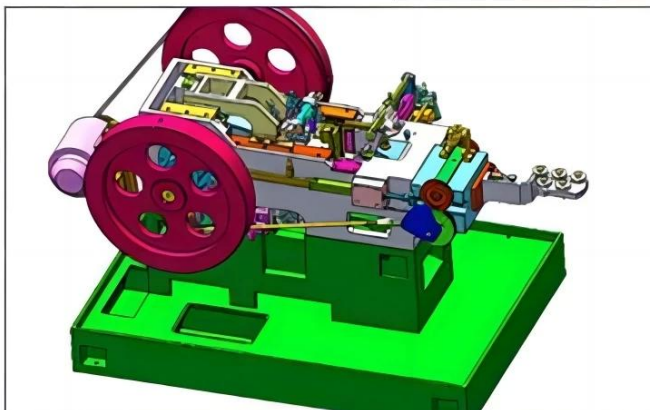
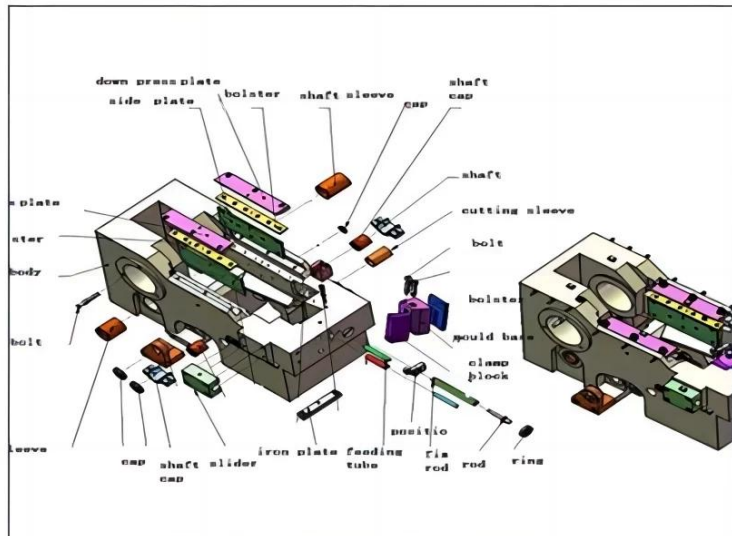
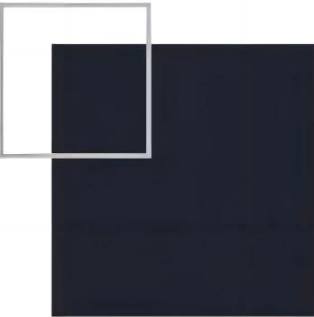


Semi-hollow Rivet

# DETAILS SHOW



Heading machine is the fastener industry whole plant equipment with automatic thread rolling machine supporting the professional equipment cold heading machine. Its purpose is selected, such as carbon steel, stainless steel, aluminum, copper and other metal wire, with a suitable mold, according to wire made allowable pressure ratio in effect under the slider crank rod driven,



# SAFETY INSTRUCTIONS

The head machine is a professional cold upsetting forming machine which is matched with automatic wire rolling machine in the whole plant of fastener industry.

Its purpose is to the selected such as carbon steel, stainless steel, aluminum, copper and other metal wire, with appropriate mould, according to the allowable pressure wire than, under the effect of crank-shaft connecting rod drive the slider, automated, fast after the required size of the wire will be automatically shear, extrusion in the mould for needed fastener head type, stem diameter, facilitate thread rolling, or become a qualified rivet type fastener. The heading machine automatically processes the wire into semi-finished products.

