

## وظيفة الجهاز:

1. آلات العنوان الباردة هذه تلقائيًا بالكامل وسهلة التشغيل. لا يوجد تدريب تقريبًا ، وهي مجهزة بأفواد صلبة. يمكن أن تكون فارغة للبراغي والمسامير والمسامير وغيرها من المكونات المماثلة. آلية القطع والضربة القاضية لها معدات آمنة. في حالة حدوث أي وظيفة غير طبيعية في الجهاز ، يمكن أن تمنع أي حوادث رئيسية.
2. تم إجراء مباراة بالضربة القاضية الإيجابية في اللكمة الأولى والثانية للتخلص من إمكانية التمسك بهذه القبضات أثناء العملية.
3. وفقًا لبعض الشحنات الإضافية ، سيتم تزويد الجهاز بمقبض هوائي ونظام تزييت مركزي تلقائي لتوفير كمية كافية من التشحيم لجميع سطح المحامل.



# PRODUCTION AREA

Provide You With A Variety Of Products Meet  
The Different Needs Of Customers



Screw With Washer



Multi-stage  
Special Shaped Screw



Flange Head Screw



Ordinary Screw

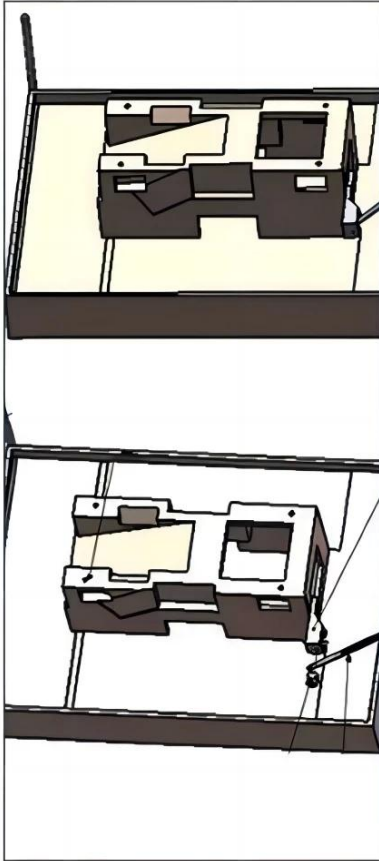


Miniature Screw

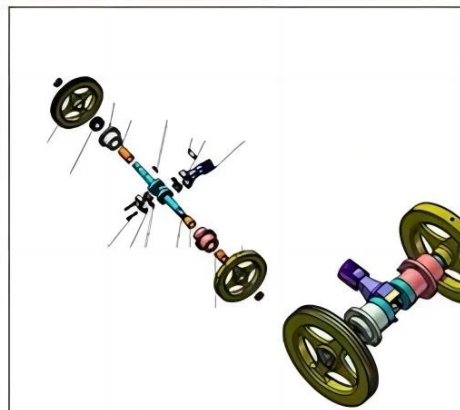
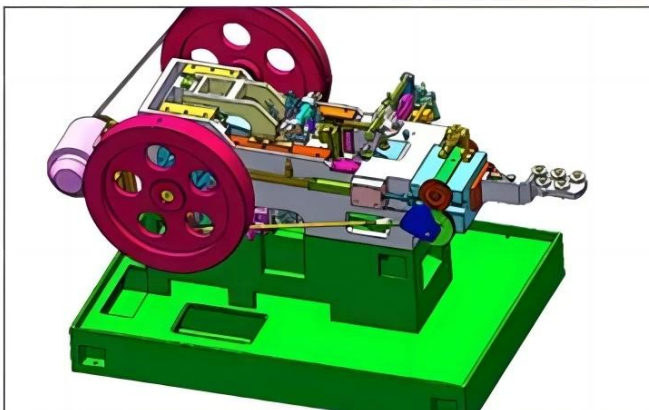
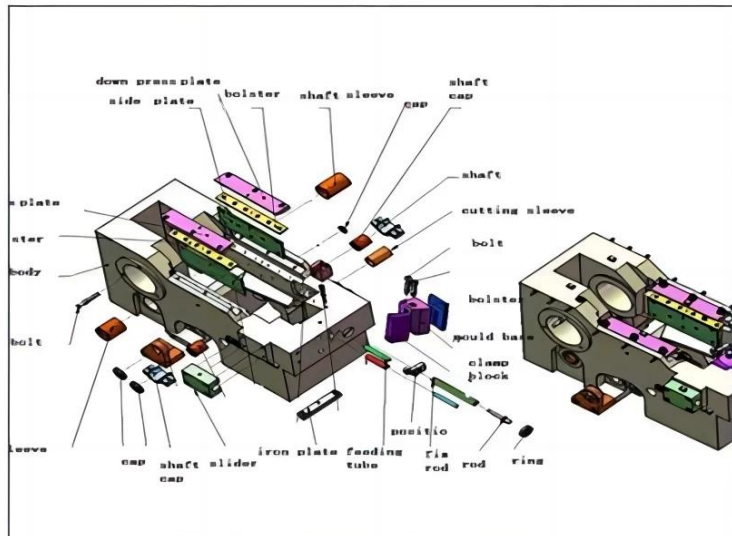
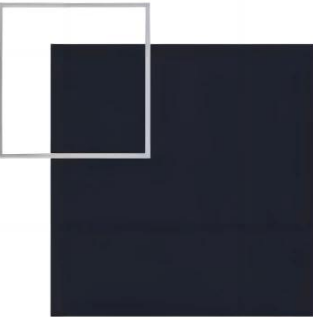


Semi-hollow Rivet

# DETAILS SHOW



Heading machine is the fastener industry whole plant equipment with automatic thread rolling machine supporting the professional equipment cold heading machine. Its purpose is selected, such as carbon steel, stainless steel, aluminum, copper and other metal wire, with a suitable mold, according to wire made allowable pressure ratio in effect under the slider crank rod driven,



# SAFETY INSTRUCTIONS

The head machine is a professional cold upsetting forming machine which is matched with automatic wire rolling machine in the whole plant of fastener industry.

Its purpose is to the selected such as carbon steel, stainless steel, aluminum, copper and other metal wire, with appropriate mould, according to the allowable pressure wire than, under the effect of crank-shaft connecting rod drive the slider, automated, fast after the required size of the wire will be automatically shear, extrusion in the mould for needed fastener head type, stem diameter, facilitate thread rolling, or become a qualified rivet type fastener. The heading machine automatically processes the wire into semi-finished products.



1 雙頭螺絲機 螺絲機 螺絲機 螺絲機 螺絲機  
螺絲機 螺絲機 螺絲機 螺絲機 螺絲機  
螺絲機 螺絲機 螺絲機 螺絲機 3



# SCREW MAKER

One die two blow heading machine. widely used to produce standard and non-standard screw. the machine is easy to operate and stable in performance



# PRODUCTION AREA

Provide You With A Variety Of Products Meet  
The Different Needs Of Customers



Screw With Washer



Multi-stage  
Special Shaped Screw



Flange Head Screw



Ordinary Screw

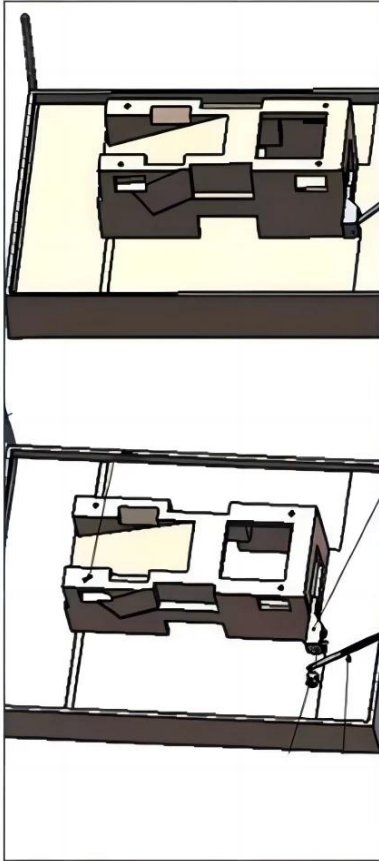


Miniature Screw

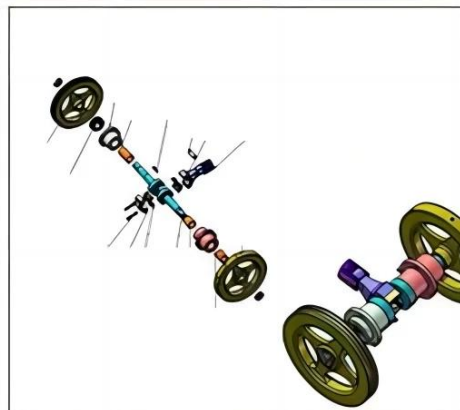
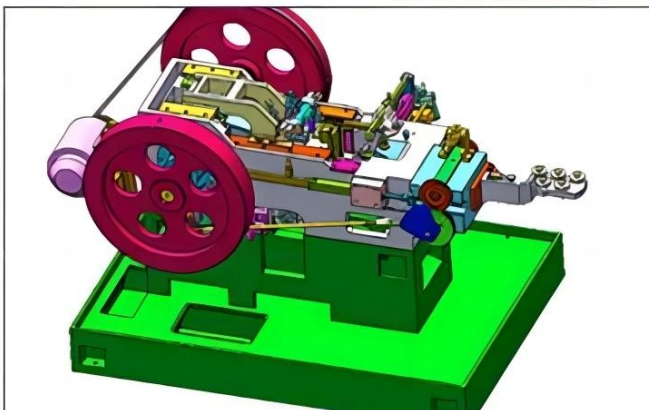
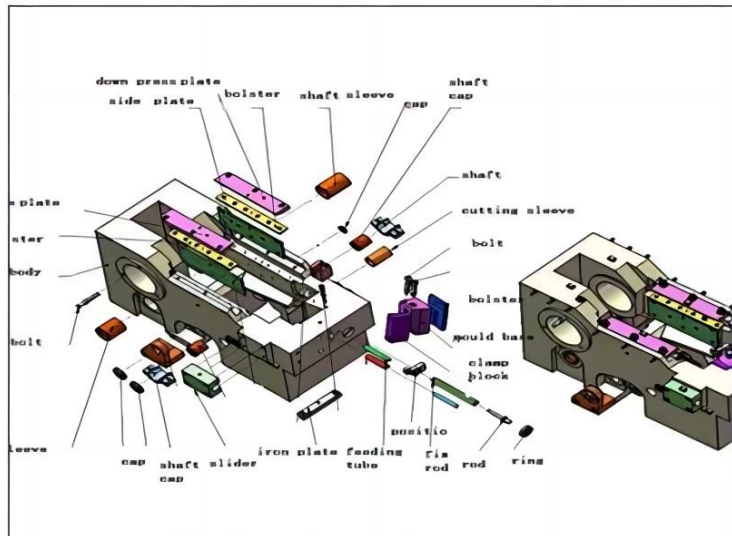
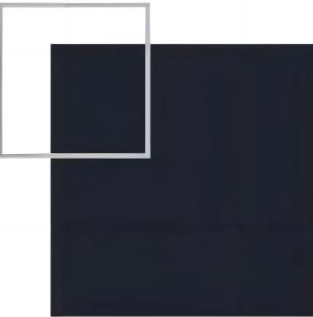


Semi-hollow Rivet

# DETAILS SHOW



Heading machine is the fastener industry whole plant equipment with automatic thread rolling machine supporting the professional equipment cold heading machine. Its purpose is selected, such as carbon steel, stainless steel, aluminum, copper and other metal wire, with a suitable mold, according to wire made allowable pressure ratio in effect under the slider crank rod driven,



# SAFETY INSTRUCTIONS

The head machine is a professional cold upsetting forming machine which is matched with automatic wire rolling machine in the whole plant of fastener industry.

Its purpose is to the selected such as carbon steel, stainless steel, aluminum, copper and other metal wire, with appropriate mould, according to the allowable pressure wire than, under the effect of crank-shaft connecting rod drive the slider, automated, fast after the required size of the wire will be automatically shear, extrusion in the mould for needed fastener head type, stem diameter, facilitate thread rolling, or become a qualified rivet type fastener. The heading machine automatically processes the wire into semi-finished products.

