

## Fonction de la machine:

1. Ces machines à titre froid sont entièrement automatiques et faciles à utiliser. Il n'y a presque pas de formation et ils sont équipés de moules solides. Ils peuvent être vides pour les boulons, les boulons, les rivets et autres composants similaires. Le mécanisme de coupe et de knockout a un équipement sûr. Si une fonction anormale se produit dans la machine, elle peut empêcher les accidents majeurs.
2. Un match knockout positif a été fait dans le premier et le deuxième coup de poing pour éliminer la possibilité de coller ces poings pendant l'opération.
3. Sur certains frais supplémentaires, la machine sera équipée d'un embrayage pneumatique et d'un système de lubrification centralisé automatique pour fournir une quantité suffisante de lubrification pour toutes les surfaces des roulements.



# PRODUCTION AREA

Provide You With A Variety Of Products Meet  
The Different Needs Of Customers



Screw With Washer



Multi-stage  
Special Shaped Screw



Flange Head Screw



Ordinary Screw

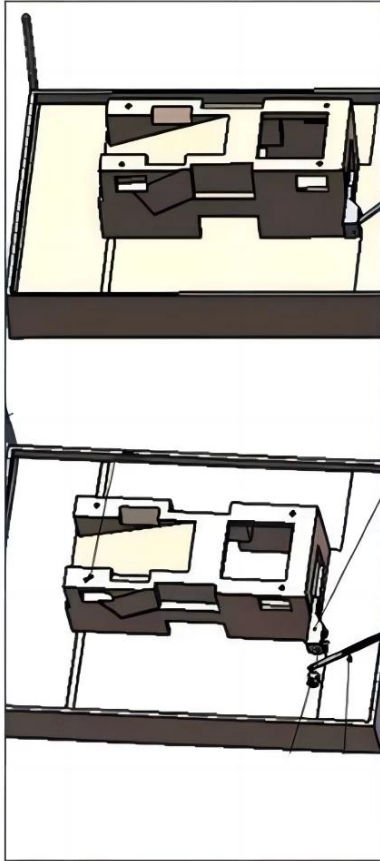


Miniature Screw

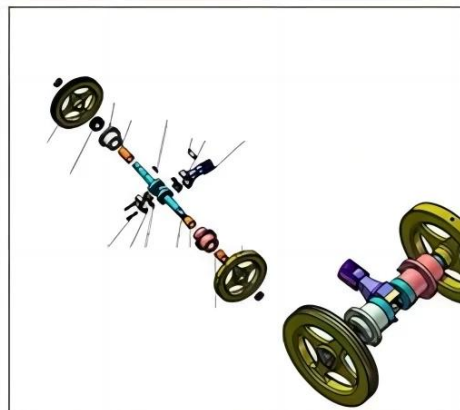
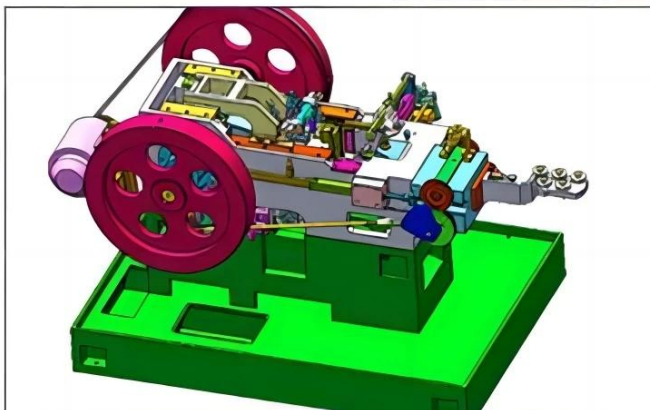
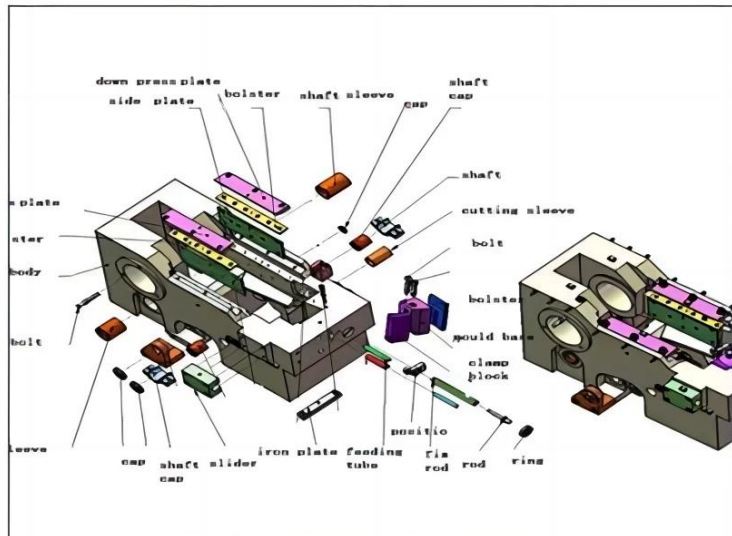
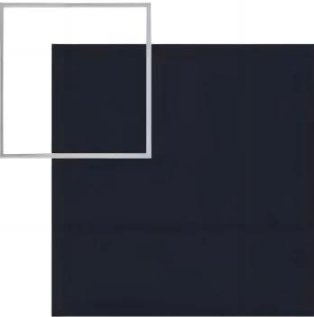


Semi-hollow Rivet

# DETAILS SHOW



Heading machine is the fastener industry whole plant equipment with automatic thread rolling machine supporting the professional equipment cold heading machine. Its purpose is selected, such as carbon steel, stainless steel, aluminum, copper and other metal wire, with a suitable mold, according to wire made allowable pressure ratio in effect under the slider crank rod driven,



# SAFETY INSTRUCTIONS

The head machine is a professional cold upsetting forming machine which is matched with automatic wire rolling machine in the whole plant of fastener industry.

Its purpose is to the selected such as carbon steel, stainless steel, aluminum, copper and other metal wire, with appropriate mould, according to the allowable pressure wire than, under the effect of crankshaft connecting rod drive the slider, automated, fast after the required size of the wire will be automatically shear, extrusion in the mould for needed fastener head type, stem diameter, facilitate thread rolling, or become a qualified rivet type fastener. The heading machine automatically processes the wire into semi-finished products.



- 1 Le cadre du corps est en soudage de plaque de fer
- Deux pièces de rechange sont faites de casting
- 3 interne est en acier de roulement



# SCREW MAKER

One die two blow heading machine. widely used to produce standard and non-standard screw. the machine is easy to operate and stable in performance



# PRODUCTION AREA

Provide You With A Variety Of Products Meet  
The Different Needs Of Customers



Screw With Washer



Multi-stage  
Special Shaped Screw



Flange Head Screw



Ordinary Screw

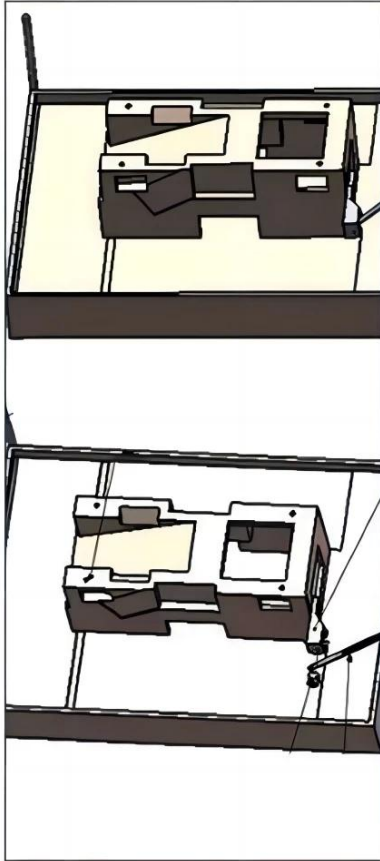


Miniature Screw

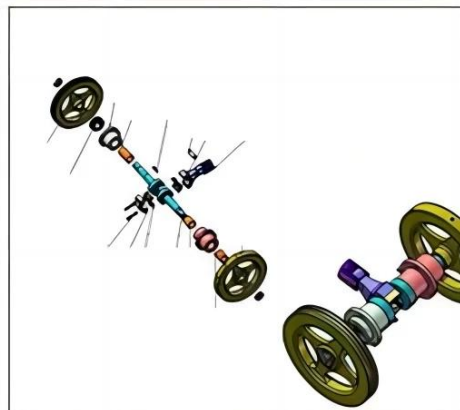
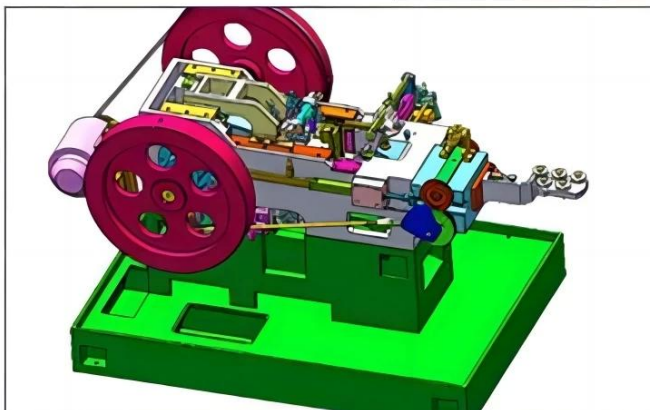
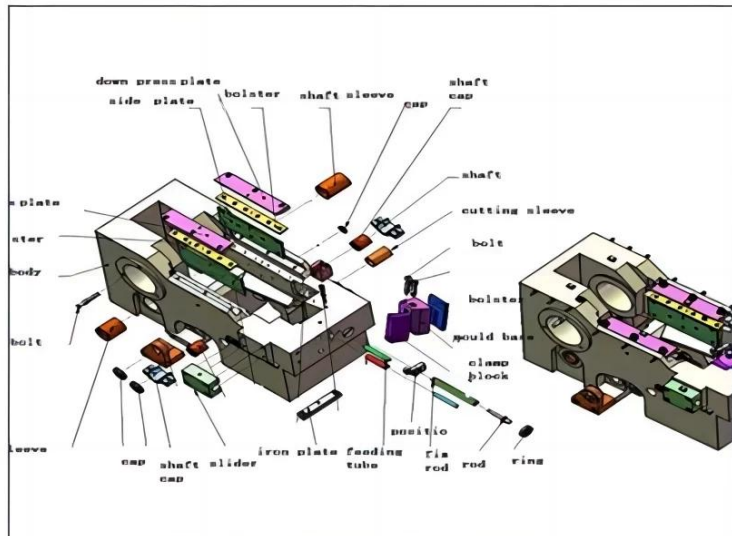
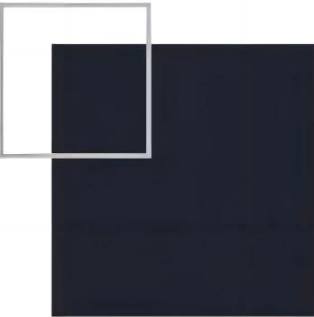


Semi-hollow Rivet

# DETAILS SHOW



Heading machine is the fastener industry whole plant equipment with automatic thread rolling machine supporting the professional equipment cold heading machine. Its purpose is selected, such as carbon steel, stainless steel, aluminum, copper and other metal wire, with a suitable mold, according to wire made allowable pressure ratio in effect under the slider crank rod driven,



# SAFETY INSTRUCTIONS

The head machine is a professional cold upsetting forming machine which is matched with automatic wire rolling machine in the whole plant of fastener industry.

Its purpose is to the selected such as carbon steel, stainless steel, aluminum, copper and other metal wire, with appropriate mould, according to the allowable pressure wire than, under the effect of crank-shaft connecting rod drive the slider, automated, fast after the required size of the wire will be automatically shear, extrusion in the mould for needed fastener head type, stem diameter, facilitate thread rolling, or become a qualified rivet type fastener. The heading machine automatically processes the wire into semi-finished products.

