

Funzione macchina:

1. Queste macchine per il titolo a freddo sono completamente automatiche e facili da usare. Non ci sono quasi allenamenti e sono dotati di stampi solidi. Possono essere vuoti per bulloni, bulloni, rivetti e altri componenti simili. Il meccanismo di taglio e knockout ha attrezzature sicure. Se si verifica una funzione anormale nella macchina, può impedire eventuali importanti incidenti.
2. Nel primo e nel secondo pugno è stata fatta una partita a eliminazione positiva per eliminare la possibilità di attaccare questi pugni durante l'operazione.
3. Con una carica aggiuntiva, la macchina sarà dotata di frizione pneumatica e sistema di lubrificazione centralizzata automatica per fornire una quantità sufficiente di lubrificazione per tutta la superficie dei cuscinetti.



PRODUCTION AREA

Provide You With A Variety Of Products Meet
The Different Needs Of Customers



Screw With Washer



Multi-stage
Special Shaped Screw



Flange Head Screw



Ordinary Screw

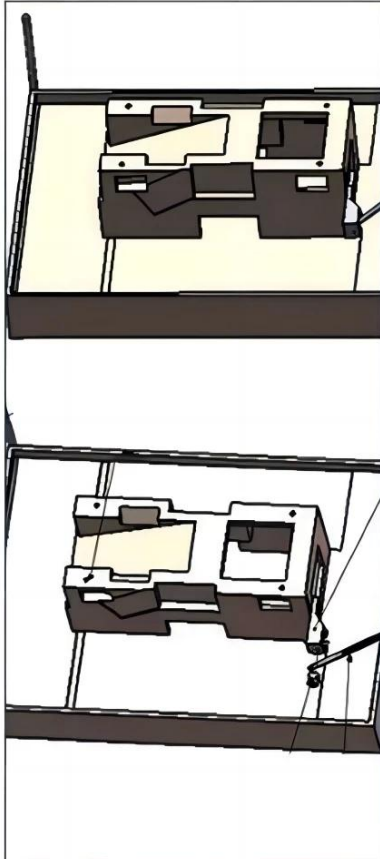


Miniature Screw

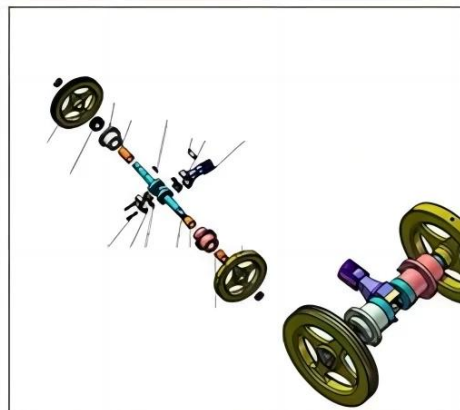
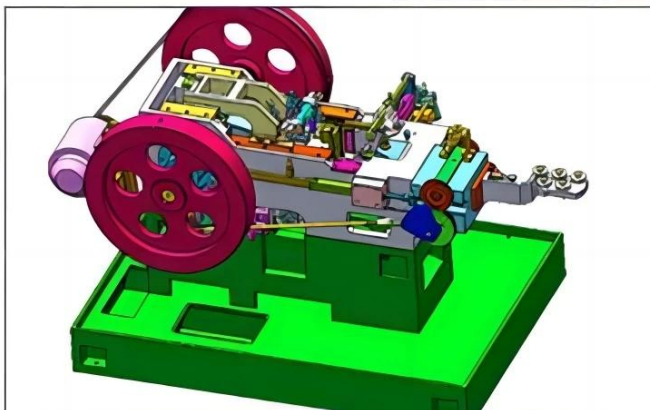
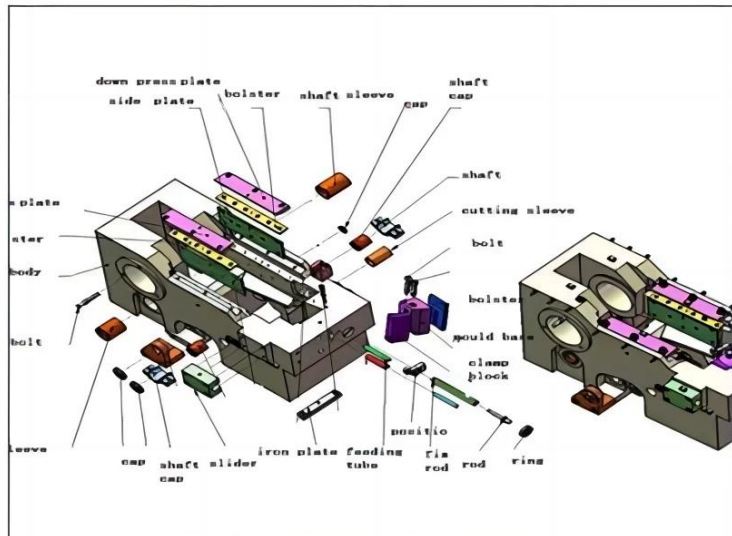
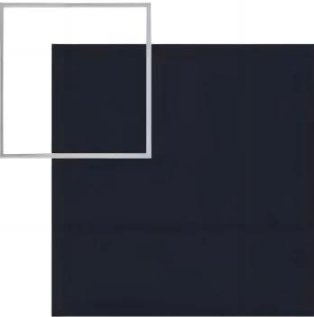


Semi-hollow Rivet

DETAILS SHOW



Heading machine is the fastener industry whole plant equipment with automatic thread rolling machine supporting the professional equipment cold heading machine. Its purpose is selected, such as carbon steel, stainless steel, aluminum, copper and other metal wire, with a suitable mold, according to wire made allowable pressure ratio in effect under the slider crank rod driven,



SAFETY INSTRUCTIONS

The head machine is a professional cold upsetting forming machine which is matched with automatic wire rolling machine in the whole plant of fastener industry.

Its purpose is to the selected such as carbon steel, stainless steel, aluminum, copper and other metal wire, with appropriate mould, according to the allowable pressure wire than, under the effect of crank-shaft connecting rod drive the slider, automated, fast after the required size of the wire will be automatically shear, extrusion in the mould for needed fastener head type, stem diameter, facilitate thread rolling, or become a qualified rivet type fastener. The heading machine automatically processes the wire into semi-finished products.



1 cornice del corpo è realizzato in saldatura a piastra di ferro
Sono fatti due pezzi di ricambio
3 interni è fatto in acciaio cuscinetto



SCREW MAKER

One die two blow heading machine. widely used to produce standard and non-standard screw. the machine is easy to operate and stable in performance



PRODUCTION AREA

Provide You With A Variety Of Products Meet
The Different Needs Of Customers



Screw With Washer



Multi-stage
Special Shaped Screw



Flange Head Screw



Ordinary Screw

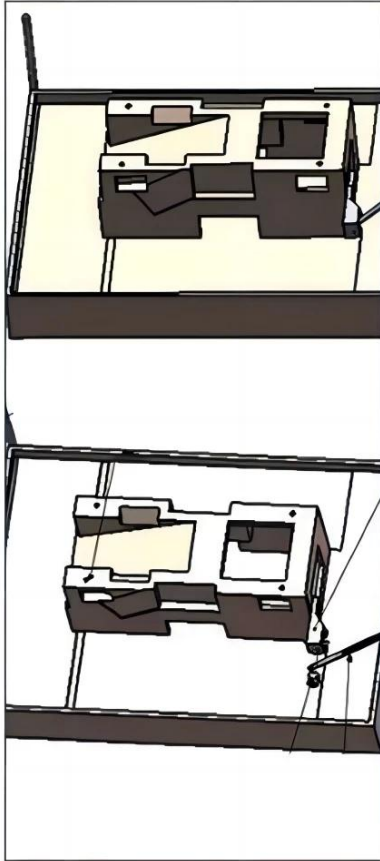


Miniature Screw

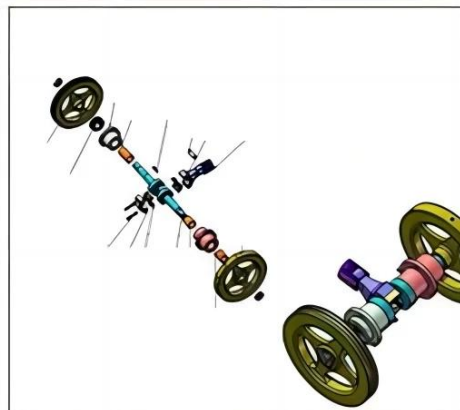
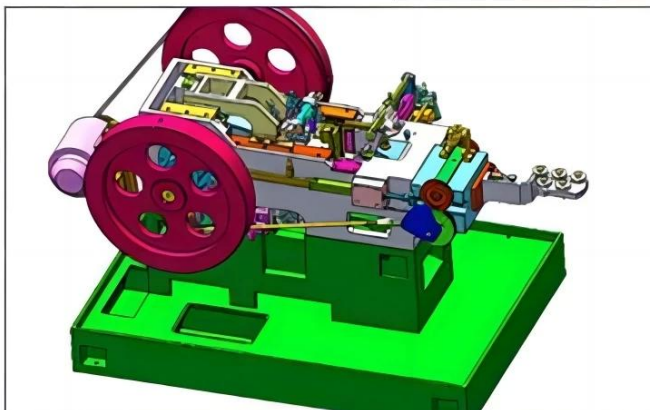
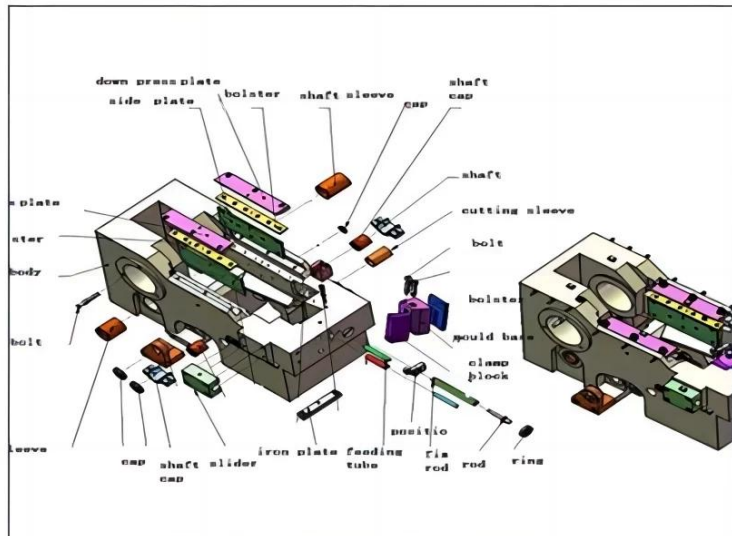
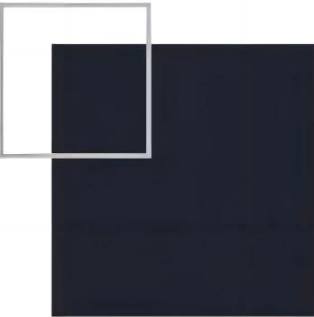


Semi-hollow Rivet

DETAILS SHOW



Heading machine is the fastener industry whole plant equipment with automatic thread rolling machine supporting the professional equipment cold heading machine. Its purpose is selected, such as carbon steel, stainless steel, aluminum, copper and other metal wire, with a suitable mold, according to wire made allowable pressure ratio in effect under the slider crank rod driven,



SAFETY INSTRUCTIONS

The head machine is a professional cold upsetting forming machine which is matched with automatic wire rolling machine in the whole plant of fastener industry.

Its purpose is to the selected such as carbon steel, stainless steel, aluminum, copper and other metal wire, with appropriate mould, according to the allowable pressure wire than, under the effect of crank-shaft connecting rod drive the slider, automated, fast after the required size of the wire will be automatically shear, extrusion in the mould for needed fastener head type, stem diameter, facilitate thread rolling, or become a qualified rivet type fastener. The heading machine automatically processes the wire into semi-finished products.

