

## Função da máquina:

1. Essas máquinas de título frio são totalmente automáticas e fáceis de operar. Quase não há treinamento e eles estão equipados com moldes sólidos. Eles podem estar em branco para parafusos, parafusos, rebites e outros componentes semelhantes. O mecanismo de corte e nocaute possui equipamentos seguros. Se ocorrer alguma função anormal na máquina, ela poderá impedir os principais acidentes.
2. Uma partida de nocaute positiva foi feita no primeiro e no segundo soco para eliminar a possibilidade de enfiar esses punhos durante a operação.
3. Em alguma carga adicional, a máquina será equipada com embreagem pneumática e sistema automático de lubrificação centralizado para fornecer uma quantidade suficiente de lubrificação para todos os rolamentos.



# SCREW MAKER

One die two blow heading machine. widely used to produce standard and non-standard screw. the machine is easy to operate and stable in performance

# PRODUCTION AREA

Provide You With A Variety Of Products Meet  
The Different Needs Of Customers



Screw With Washer



Multi-stage  
Special Shaped Screw



Flange Head Screw



Ordinary Screw

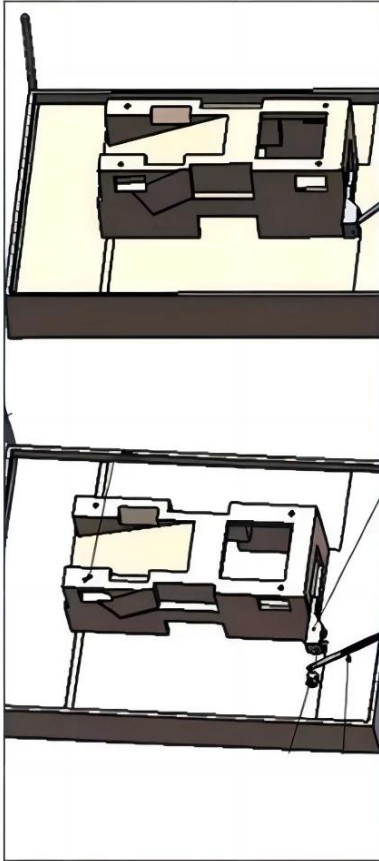


Miniature Screw

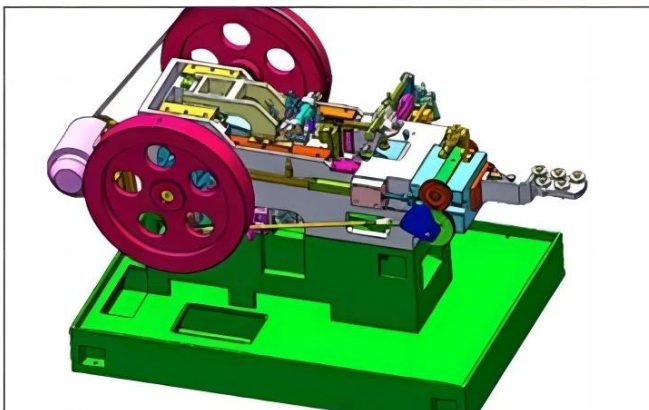
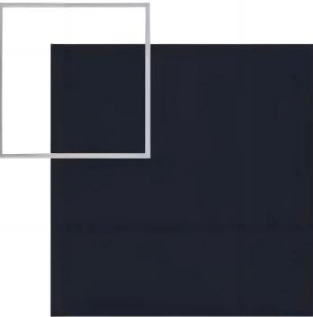


Semi-hollow Rivet

# DETAILS SHOW



Heading machine is the fastener industry whole plant equipment with automatic thread rolling machine supporting the professional equipment cold heading machine. Its purpose is selected, such as carbon steel, stainless steel, aluminum, copper and other metal wire, with a suitable mold, according to wire made allowable pressure ratio in effect under the slider crank rod driven,



# SAFETY INSTRUCTIONS

The head machine is a professional cold upsetting forming machine which is matched with automatic wire rolling machine in the whole plant of fastener industry.

Its purpose is to the selected such as carbon steel, stainless steel, aluminum, copper and other metal wire, with appropriate mould, according to the allowable pressure wire than, under the effect of crank-shaft connecting rod drive the slider, automated, fast after the required size of the wire will be automatically shear, extrusion in the mould for needed fastener head type, stem diameter, facilitate thread rolling, or become a qualified rivet type fastener. The heading machine automatically processes the wire into semi-finished products.



1 estrutura corporal é feita de soldagem de placas de ferro  
Duas peças de reposição são feitas de elenco  
3 é feito de aço de rolamento



# SCREW MAKER

One die two blow heading machine. widely used to produce standard and non-standard screw. the machine is easy to operate and stable in performance



# PRODUCTION AREA

Provide You With A Variety Of Products Meet  
The Different Needs Of Customers



Screw With Washer



Multi-stage  
Special Shaped Screw



Flange Head Screw



Ordinary Screw

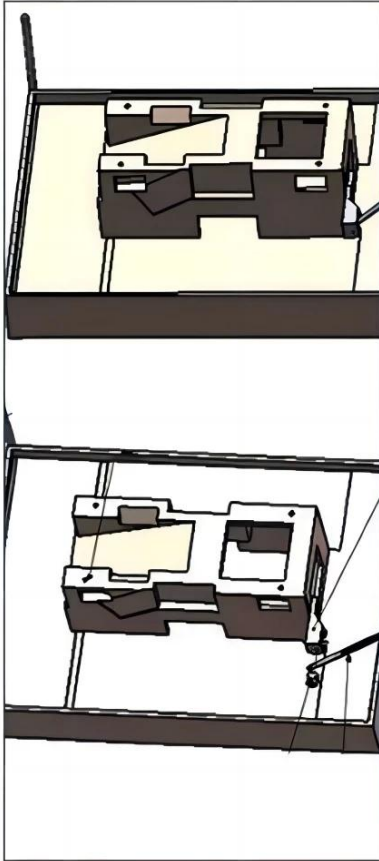


Miniature Screw

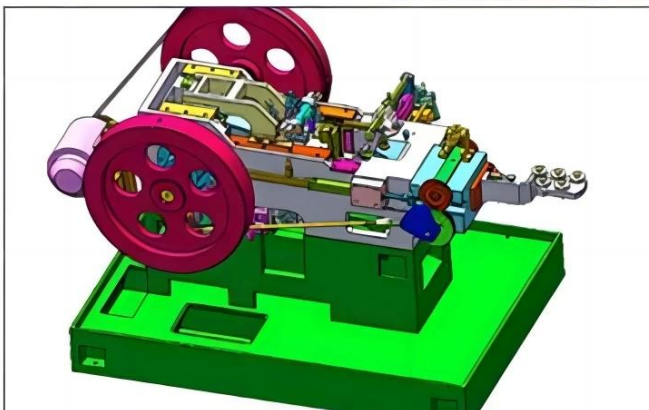
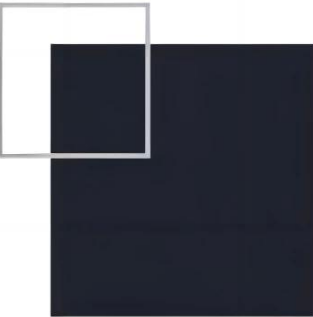


Semi-hollow Rivet

# DETAILS SHOW



Heading machine is the fastener industry whole plant equipment with automatic thread rolling machine supporting the professional equipment cold heading machine. Its purpose is selected, such as carbon steel, stainless steel, aluminum, copper and other metal wire, with a suitable mold, according to wire made allowable pressure ratio in effect under the slider crank rod driven,



# SAFETY INSTRUCTIONS

The head machine is a professional cold upsetting forming machine which is matched with automatic wire rolling machine in the whole plant of fastener industry.

Its purpose is to the selected such as carbon steel, stainless steel, aluminum, copper and other metal wire, with appropriate mould, according to the allowable pressure wire than, under the effect of crank-shaft connecting rod drive the slider, automated, fast after the required size of the wire will be automatically shear, extrusion in the mould for needed fastener head type, stem diameter, facilitate thread rolling, or become a qualified rivet type fastener. The heading machine automatically processes the wire into semi-finished products.

