

# WELL TYPE □□□□□□□□□□

## Well Type Electric Annealing Furnace



Liner of Well Type Electric Annealing Furnace



Well Type Electric Annealing Furnace (Main Furnace)



Electric Control Cabinet



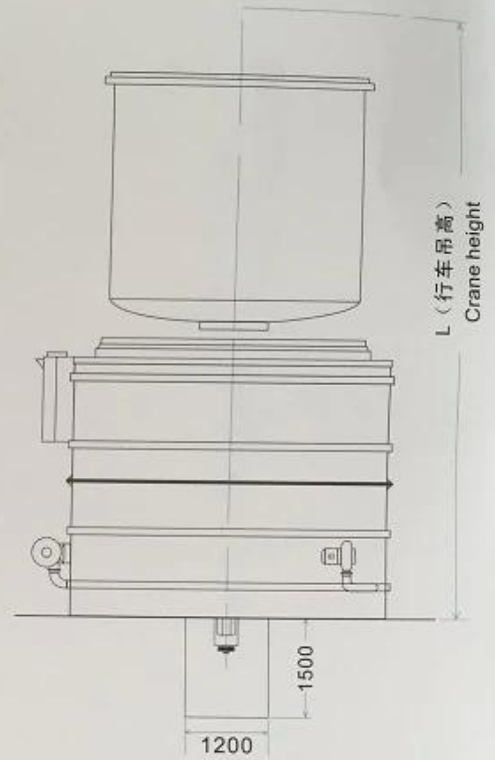
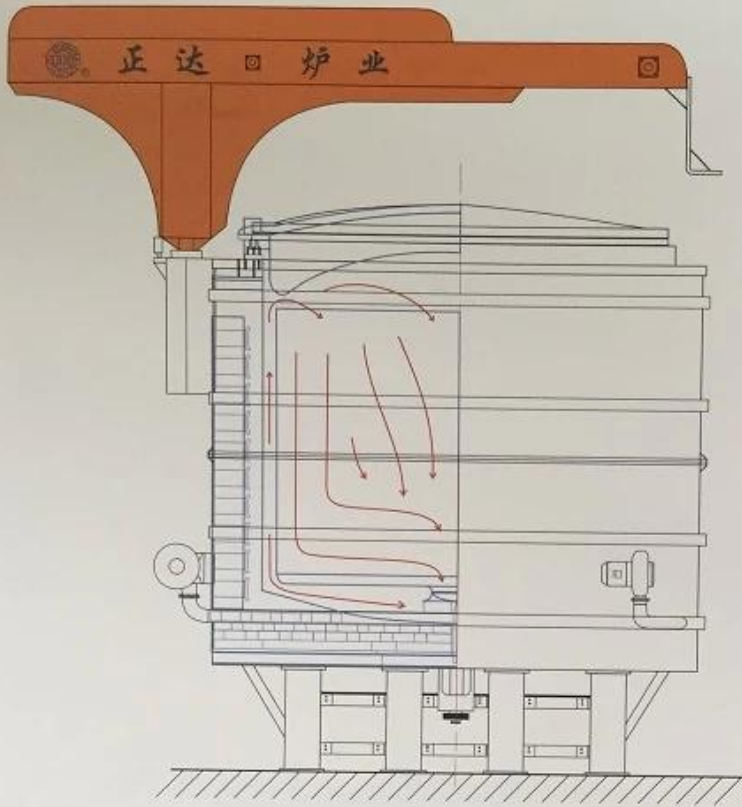
Blower

□□□□□□□□□□: □□□□□□□□□□□□□□□□□ spheroidizing

heatment  
decarbonization spheroidizing  
(  
adopts  
heatment  
adopts  
(+ - 5 °C).  
heatment  
loadage Dia  
loadage Dia

ZD-8355型井式超强对流球化退火炉结构示意图

ZD-8355 Type supercon type spheroidizing Annealing furnace schematic diagram



炉体安装吊高 (无脚架)  
Installation lifting of furnace body

组成部件 Components



炉盖  
The furnace cover



导流板  
Air deflector



置料架  
Loading frame



波纹桶成型  
Corrugated molding



电加热炉  
Electric heating furnace



波纹桶  
Corrugated bucket





用于标准件行业球化炉  
Used for fastner industry



用于汽配行业球化炉  
Used for the auto parts industry



用于五金工具行业球化炉  
Used for the hardware tool industry



用于轴承行业球化炉  
Used for the bearing industry

超强对流型井式球化退火炉相关尺寸一览表(电加热型)  
The relevant size list (Electric heating)

单位: mm

型号 Type	使用直径 Use diameter	使用高度 Use height	炉体外径 Furnace body diameter	炉体高度 Furnace body height	总高度 Total height	脚架高 Tripod height	行车吊高 Crane height		地坑尺寸 Pit size	维修坑尺寸 Repair pit size	炉体总重 Furnace weight	行车荷重 Driving load	功率 Power	装载量 Capacity
	A	B	D	B	E	F	有脚 with supporting tripod	无脚 No supporting tripod	G×J	长×宽×深 Length×Width×Height	(吨) Ton	(吨) Ton	(千瓦) Kw	(吨) Ton
8355-1	2200	2000	3378	3200	6930	1500	7800	6300	5200×5200	5200×1200×1500	19.8	5	240	2~8
	2200	3000	3378	4200	7930	1500	8800	7300	5200×5200	5200×1200×1500	22.8	5	240	2~8
8355-2	2450	2000	3678	3200	6930	1500	7800	6300	5450×5200	5450×1200×1500	21.8	5	280	4~14
	2450	3000	3678	4200	7930	1500	8800	7300	5450×5200	5450×1200×1500	25.8	5	280	4~14
8355-3	2800	2000	3978	3200	6930	1500	7800	6300	5800×5800	5800×1200×1500	26.2	5	400	4~14
	2800	3000	3978	4200	7930	1500	8800	7300	5800×5800	5800×1200×1500	28.5	5	400	8~16
8355-4	3200	2000	4378	3200	6930	1500	7800	6300	6200×6200	6200×1200×1500	29.3	10	500	8~22
	3200	3000	4378	4200	7930	1500	9800	8300	6200×6200	6200×1200×1500	32.5	10	500	8~22
8355-5	3600	2000	4778	3200	6930	1500	8050	6550	6500×6500	6500×1200×1500	34.3	10	640	8~32
	3600	3000	4778	4200	7930	1500	9950	8450	6500×6500	6500×1200×1500	35.2	10	640	8~32
8355-6	3700	2000	4978	3200	6930	1500	8050	6550	6700×6700	6700×1200×1500	35.3	10	720	8~36
	3700	3000	4978	4200	7930	1500	9990	8450	6700×6700	6700×1200×1500	36.3	10	720	8~36



www.rainbowtechnology.net  
Vera

WhatsApp ☎️: 8618704610523

📧: vera5266

QQ: 417651303